

(54) Title of the invention : A SMART SCHOOL SECURITY SYSTEM THAT UTILIZES GSM AND MICROCONTROLLERS AND IS POWERED BY THE INTERNET OF THINGS (IOT)

<p>(51) International classification : G06Q0050200000, H04W0004140000, G08B0021020000, G08B0019000000, G06Q0010060000</p> <p>(86) International Application No : NA Filing Date : NA</p> <p>(87) International Publication No : NA</p> <p>(61) Patent of Addition to Application Number : NA Filing Date : NA</p> <p>(62) Divisional to Application Number : NA Filing Date : NA</p>	<p>(71)Name of Applicant :</p> <p>1)Archana Lopes Address of Applicant :Assistant Professor, Electronics and Computer Science, Fr Conceicao Rodrigues College of Engineering, Bandra, Mumbai, University of Mumbai, Maharashtra Bandra -----</p> <p>2)Dr. Awaneesh Gupta 3)V. Muralidharan 4)Dr.Manoj Kumar N 5)Anshita Samal 6)Mr. Narayan Patidar 7)Dr. Atul Sarojwal 8)Dr. Deo karan Ram 9)Mr. Kannadasan B 10)Dr. Hari Kumar Singh</p> <p>Name of Applicant : NA Address of Applicant : NA</p> <p>(72)Name of Inventor :</p> <p>1)Archana Lopes Address of Applicant :Assistant Professor, Electronics and Computer Science, Fr Conceicao Rodrigues College of Engineering, Bandra, Mumbai, University of Mumbai, Maharashtra Bandra -----</p> <p>2)Dr. Awaneesh Gupta Address of Applicant :Associate Professor, MCA Department, United Institute of Management Prayagraj, Uttar Pradesh, India Prayagraj -----</p> <p>3)V. Muralidharan Address of Applicant :Assistant Professor, Department of ECE, Christ The King Engineering College, Coimbatore Anna University, Tamilnadu Karamadai -----</p> <p>4)Dr.Manoj Kumar N Address of Applicant :Associate Professor, Department of Electrical and Electronic Engineering, Panimalar Engineering College, Chennai 600123, Tamilnadu Chennai -----</p> <p>5)Anshita Samal Address of Applicant :M. Tech Scholar, Computer Science and Engineering DRIEMS, BPUT, Tangi, Cuttack, Odisha Tangi -----</p> <p>6)Mr. Narayan Patidar Address of Applicant :Assistant Professor, Electronics & Communication, Chameli Devi Group of Institutions, Indore Indore -----</p> <p>7)Dr. Atul Sarojwal Address of Applicant :Assistant Professor, Department of Electrical Engineering, F.E.T, MJP Rohilkhand University, Bareilly, Uttar Pradesh, India Bareilly -----</p> <p>8)Dr. Deo karan Ram Address of Applicant :Associate Professor, Petroleum and Chemical Engineering, Nims University Rajasthan, Jaipur, Rajasthan, India Jaipur -----</p> <p>9)Mr. Kannadasan B Address of Applicant :Assistant Professor, Department of Civil Engineering, B.S Abdur Rahman Crescent Institute of Science and Technology, GST Road, Vandalur, Chennai - 600048, Tamilnadu Chennai -----</p> <p>10)Dr. Hari Kumar Singh Address of Applicant :Assistant Professor, Department of ECE, F E T, MJP Rohilkhand University, Bareilly, Uttar Pradesh, India Bareilly -----</p>
--------------------------------------------------------------------------------------------------------------------------------------------------------------------------------------------------------------------------------------------------------------------------------------------------------------------------------------------------------------------------------------------------	-----------------------------------------------------------------------------------------------------------------------------------------------------------------------------------------------------------------------------------------------------------------------------------------------------------------------------------------------------------------------------------------------------------------------------------------------------------------------------------------------------------------------------------------------------------------------------------------------------------------------------------------------------------------------------------------------------------------------------------------------------------------------------------------------------------------------------------------------------------------------------------------------------------------------------------------------------------------------------------------------------------------------------------------------------------------------------------------------------------------------------------------------------------------------------------------------------------------------------------------------------------------------------------------------------------------------------------------------------------------------------------------------------------------------------------------------------------------------------------------------------------------------------------------------------------------------------------------------------------------------------------------------------------------------------------------------------------------------------------------------------------------------------------------------------------------------------------------------------------------------------------------------------------------------------------------------------------------------------------------------------------------------------------------------------------------------------------------------------------------------------------------------------------------------------------------------------------------------------------------------------------------------------------------------------------------------------------------------------------------------------------------------------------------------------------------------------------------------------------------------------

(57) Abstract :

When it comes to children being kidnapped, parents are on high alert. In addition, parents are working longer hours, which leaves them with less time to spend with their children. In addition, before they even enter the school, kidnapers will have swayed them. Because of this, schools bear primary responsibility for the safety of their students, and they can notify parents if their children fail to arrive at school on time by sending an alert message home with them. Using this system, parents are made aware of their children's various important statuses, such as their on time arrival and out-time. A student's safety and security can be improved by using technology to keep an eye on them. Students' arrival and departure times from the bus and campus will be saved in a web-based system, and an SMS will be sent to their parents to let them know their child arrived safely. A text message will be sent to parents whose children are absent without permission. Parents can access the system's website to keep tabs on their children's activities. It is the goal of the School Security System to deter students from engaging in criminal behaviour and to alleviate parents' concerns.

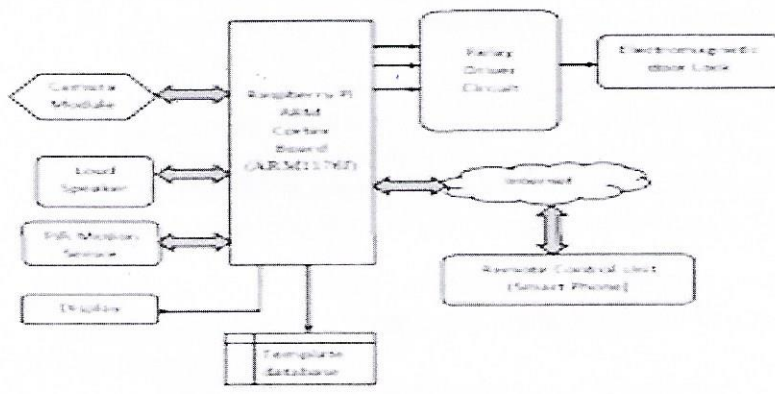


Figure 1

No. of Pages : 13 No. of Claims : 4